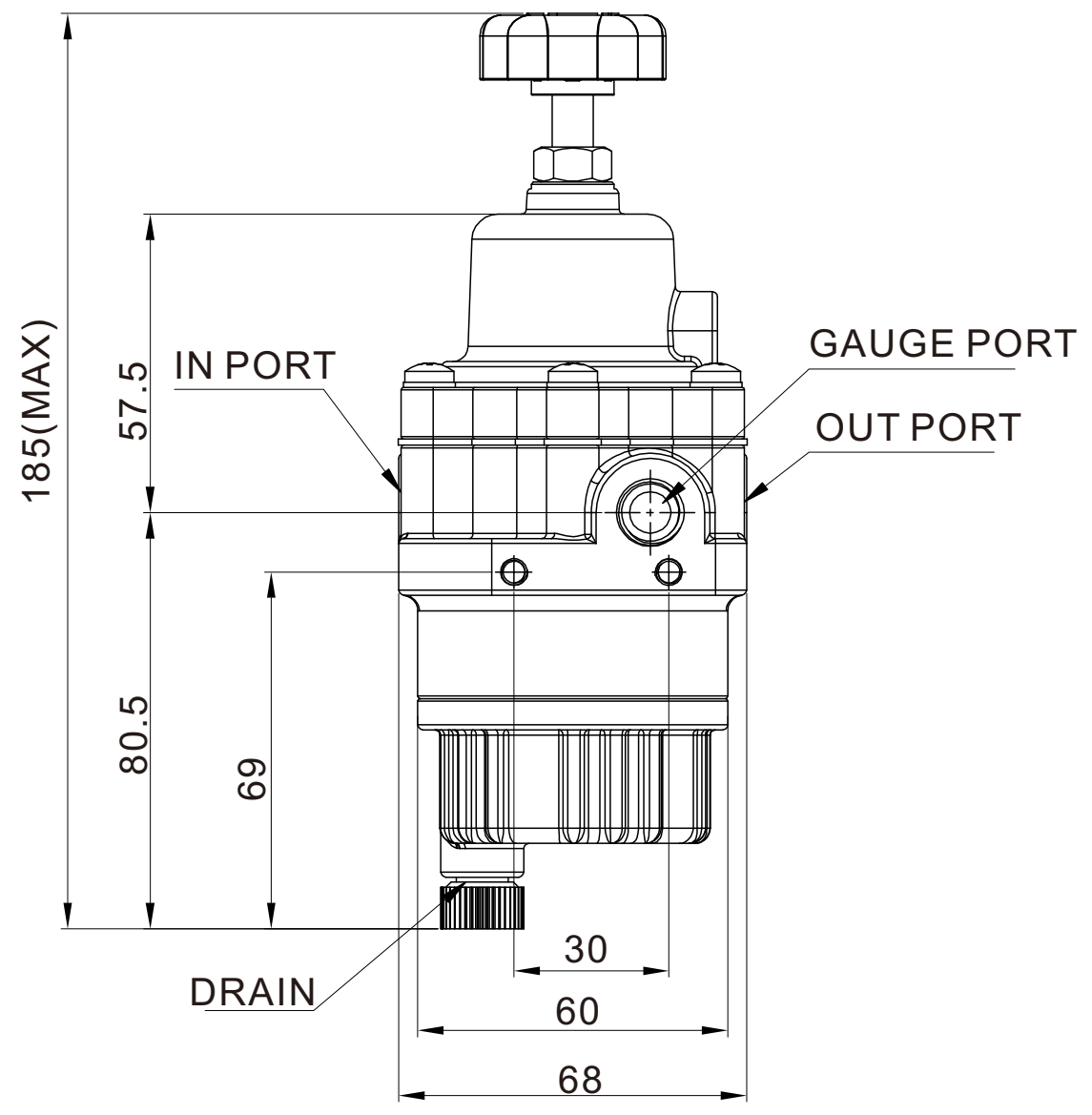
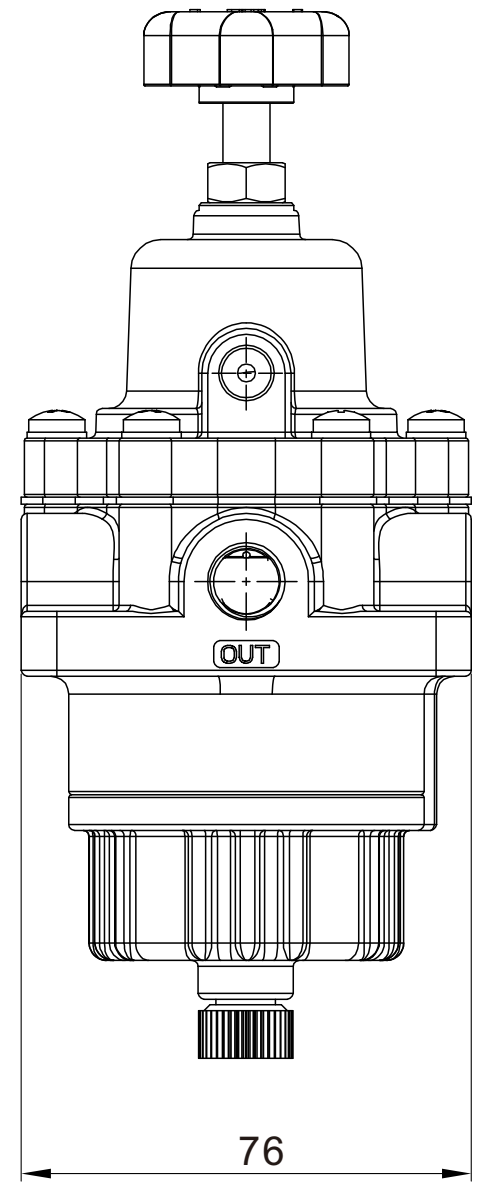


REV.NO.	REVISION DESCRIPTION	DRAWN / DATE	REVIEWED / DATE	APPROVED / DATE
△	ISSUE FOR APPROVAL	HSS/071218	JCS/071218	LYH/071218
△				



SURFACE TEXTURE	PRODUCT NAME	MORC CONTROLS LTD.	
FINISH TREATMENT	VOLUME BOOSTER	TITLE	
MATERIAL	MODEL	VOLUME BOOSTER ASS'Y DWG	
OTHERWISE NOTE	MC-22	PROJECTION	SCALE
GENERAL TOLERANCE		3rd	1 / 1
	QUANTITY	DRAWING NO.	
	1	MC-22(Manual Drain)	
		SHEET No.	REV.
		1 / 1	0